

Edge protection seal profiles

Material NBR / EPDM (UL-certified)

SPECIFICATION

Types

- Type **A**: Upper seal profile
- Type **D**: Side seal profile

Clamping profile / Sealing profile

Ethylene propylene diene rubber **EPDM**

- black
- Clamping profile hardness 65 ±5 Shore A
- Sealing profile hardness 25 ±5 Shore A
- temperature resistant -40 °C to 100 °C

Acrylonitrile butadiene rubber **NBR**

(only for sizes $h_1 = 20.5$ and 13)

- black
- Clamping profile hardness 60 ±5 Shore A
- Sealing profile hardness 25 ±5 Shore A
- temperature resistant -30 °C to 100 °C

Clamp insert

Steel wire polyester clamping band



INFORMATION

Edge protection seal profiles GN 2180 can be used to seal doors, covers and hatches. The profiles are pressed by hand onto the front of metal sheets and plates. The embedded clamp insert prevents detachment. Glue or other adhesives are not required.

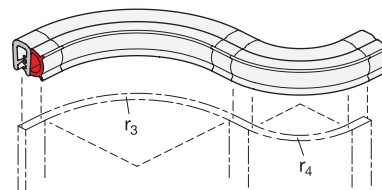
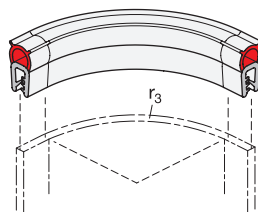
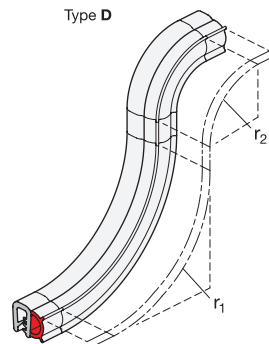
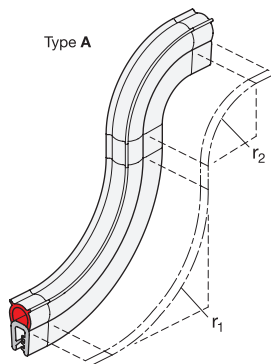
When assembled, the profile should deform slightly according to w_2 . This ensures an optimal seal. Adherence to the guideline placement radii ($r_1... r_4$) is recommended in order to ensure a tight profile seal and to make assembly easier.

The NBR profiles are recommended for use in cases where contact with fuels, oils or coolants can occur.

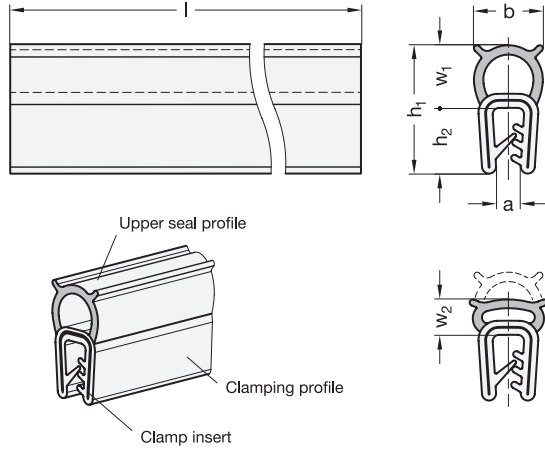
EPDM profiles are certified according to UL 50 and UL 94-HB and are therefore approved for the US-American and the Canadian market.

TECHNICAL INFORMATION

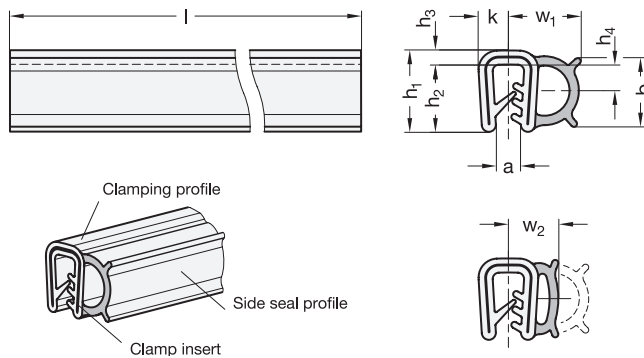
- Technical information for edge protection profiles (see page 1548)
- Elastomer characteristics (see page A32)



Type A



Type D



GN 2180

Description	h1	Cutting length l in m	a	b	h2	h3	h4	k	r1	r2	r3	r4	w1	w2 up to 50% permissible deformation	⚖
GN 2180-EPDM-15,5-A-20	15.5	20	0.8 - 2.5	8.5	9	-	-	-	80	50	20	-	6.5	5	2800
GN 2180-EPDM-15,5-A-50	15.5	50	0.8 - 2.5	8.5	9	-	-	-	80	50	20	-	6.5	5	5600
GN 2180-EPDM-20,5-A-20	20.5	20	1 - 3.5	11	10.5	-	-	-	90	50	30	-	10	7	2800
GN 2180-EPDM-20,5-A-50	20.5	50	1 - 3.5	11	10.5	-	-	-	90	50	30	-	10	7	7130
GN 2180-EPDM-11,5-D-20	11.5	20	0.8 - 2.5	8.75	9	2.5	3.75	4	30	40	80	40	8.5	6.75	2500
GN 2180-EPDM-11,5-D-50	11.5	50	0.8 - 2.5	8.75	9	2.5	3.75	4	30	40	80	40	8.5	6.75	5600
GN 2180-EPDM-13-D-20	13	20	1 - 3.5	11	10.75	2.25	4.5	4.75	40	50	100	80	11.25	8.75	2800
GN 2180-EPDM-13-D-50	13	50	1 - 3.5	11	10.75	2.25	4.5	4.75	40	50	100	80	11.25	8.75	7500
GN 2180-NBR-20,5-A-20	20.5	20	1 - 3.5	11	10.5	-	-	-	90	50	30	-	10	7	3000
GN 2180-NBR-20,5-A-50	20.5	50	1 - 3.5	11	10.5	-	-	-	90	50	30	-	10	7	7500
GN 2180-NBR-13-D-20	13	20	1 - 3.5	11	10.75	2.25	4.5	4.75	40	50	100	80	11.25	8.75	3000
GN 2180-NBR-13-D-50	13	50	1 - 3.5	11	10.75	2.25	4.5	4.75	40	50	100	80	11.25	8.75	7000

